

V3-129

**M**

DRAWING NUMBER

ISSUE  
 X 8 9 12

REVISIONS

A	CO20189	W E G	17 JUNE 65
B	CO21900	OMW	13 OCT 66
C	CO24941	M B S	3 DEC 68
D	CO26075	M B S	26 AUG 69
E	CO28095	M B S	9 NOV 70
F	CO31748	L S D	4 APR 73
G	(C) 99921	SMA	29 SEPT 80
H	CO74476	K D R	21 APR 93

REPLACES

RELEASE NO.

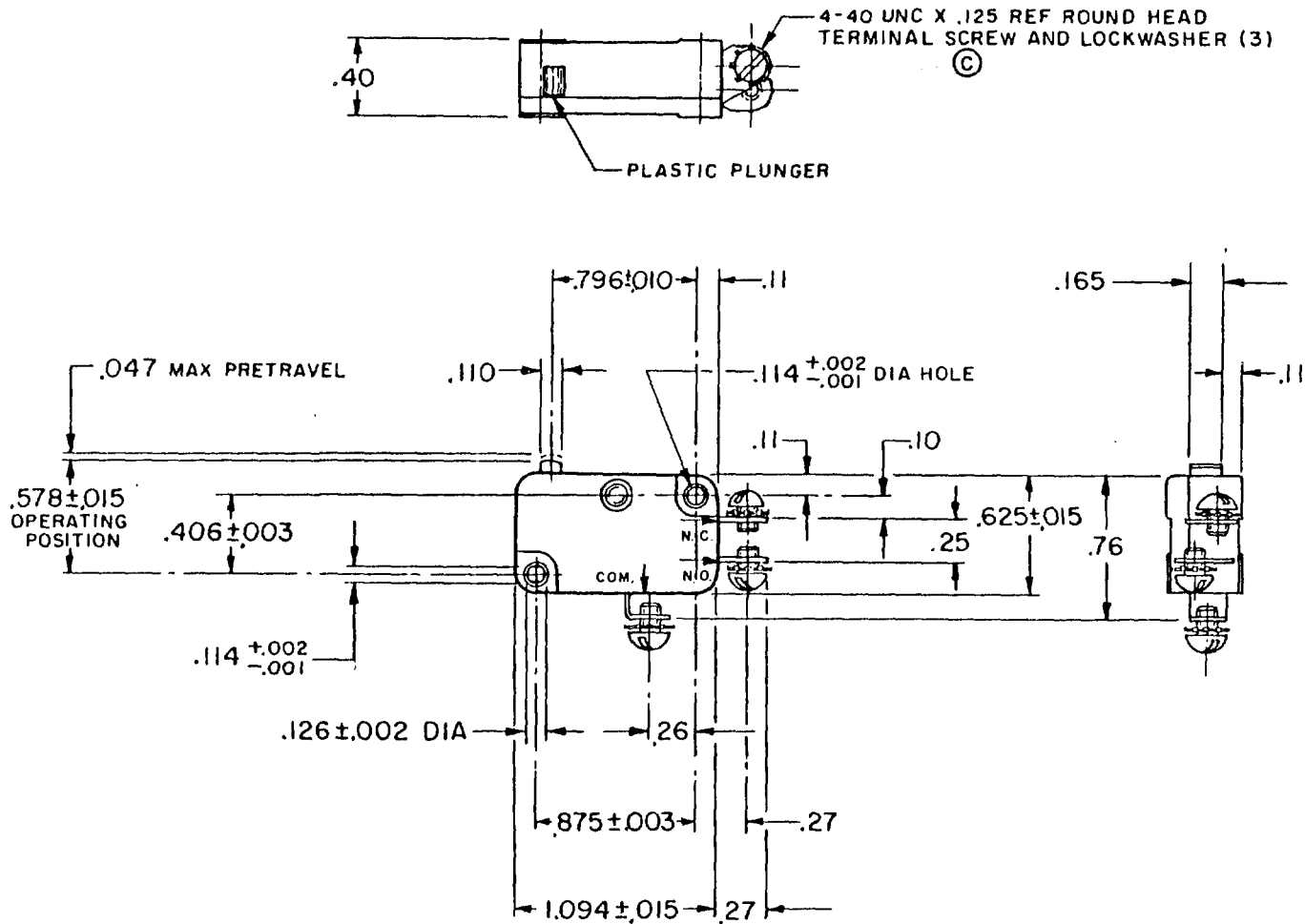
CHECK

CHECK

CHECK

W E G 17 JUNE 65

50378



NOTE -  
 I - SWITCH MATERIAL WILL WITHSTAND TEMPERATURE OF 300° F

THIS DRAWING COVERS A PROPRIETARY ITEM AND IS THE PROPERTY OF MICRO SWITCH, A DIVISION OF HONEYWELL. THIS DRAWING IS NOT TO BE COPIED OR USED WITHOUT THE APPROVAL OF MICRO SWITCH.

CHARACTERISTICS	ELECTRICAL DATA	SCALE FULL
OPERATING FORCE - - - - - 8 OZ MAX	CONTACT ARRANGEMENT S P D T	DO NOT SCALE PRINT
RELEASE FORCE - - - - - 2 OZ MIN	- L156 - 11A-1/3HP-125-250-277 VAC 1/2A-125 VDC; 1/4A-250 VDC 4A-125 VAC "L" 	UNLESS OTHERWISE NOTED
DIFFERENTIAL TRAVEL - - - - -.006 -.016		DIMENSIONS ARE IN INCHES
OVERTRAVEL - - - - -.040 MIN		<b>TOLERANCES ARE</b>
FREE POSITION - - - - -.625 MAX		ONE PLACE (.0) ±.0
RELEASE TRAVEL - - - - .007 MIN	TWO PLACE (.00) ±.00	
	THREE PLACE (.000) ±.000	
	ANGLES ±.0	
	WEIGHT .017 LB	